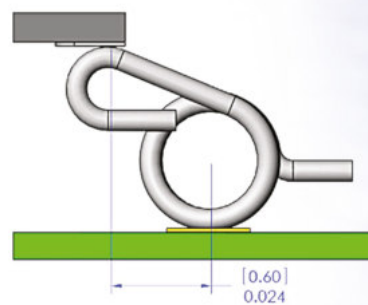


RF SCRUB CONTACTORS



Excellent RF Performance with Low Cost of Ownership



Benefits:

- Easy to maintain
- Elastomer-free
- Pins easy to replace in less than 5 mins
- Long cleaning intervals up to 100,000 cycles
- Lifetime – up to 500,000 cycles
- No load board wear & tear

Key Features:

- Extremely short signal length
- Insertion loss 33 GHz @ -1 dB
- Smallest pitch available 0.40 mm
- CRES below 50 mOhm
- Continuous current 2 Amps
- Tungsten pin with hard gold plating
- Wide package range: SO, DFN, QFN, MEMS
- Wide temperature range (-40 °C to +150 °C)

RF SCRUB CONTACTORS

1. Electrical

- 1.1 CRES
 - 50 mOhm
- 1.2 CCC
 - 2 Amps
- 1.3 Induct. – Self
 - 0.29 nH
- 1.4 Cap. – Gnd
 - 0.18 pF
- 1.5 Cap. – Mutual
 - 0.03 pF
- 1.6 Insertion Loss (S21)
 - 33 GHz @ -1 dB
- 1.7 Return Loss (S11)
 - 13 GHz @ -20 dB

2. Mechanical

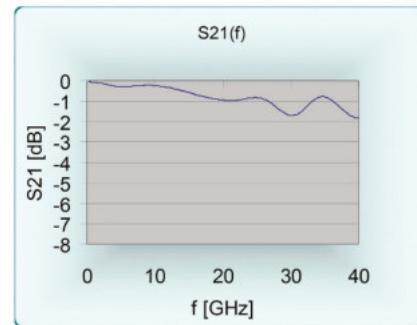
- 2.1 Working cph
 - 0.914 mm
- 2.2 Force @ cph
 - 20 grams
- 2.3 Min Pitch
 - 0.4 mm
- 2.4 DUT Compression
 - 0.20 to 0.25 mm
- 2.5 Temperature
 - -40 °C to +150 °C

3. Chemical

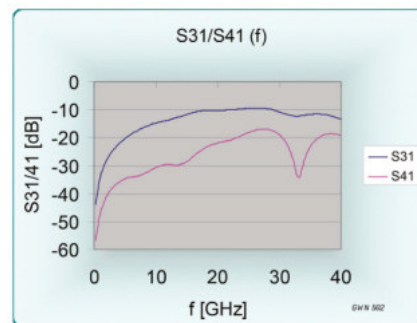
- 3.1 DUT & PCB Tip Plating Material
 - High Hardness Gold
- 3.2 DUT & PCB Tip Base Material
 - Tungsten
- 3.3 Spring Material
 - Tungsten
- 3.4 Housing Material
 - Vespel SP1, Torlon

4. Product

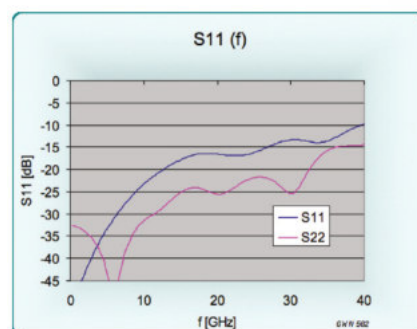
- 4.1 Life
 - 500,000+ insertions (varies)
- 4.2 Cleaning Interval
 - 100,000+ insertions (varies)



Insertion Loss



Crosstalk as a function of frequency



Return Loss

All performance figures such as MTBF, MTBA, Uptime, Yield, Jam Rate, Life Span, Cleaning Cycles etc. can vary with specific package type, test program and / or specific application environment. They assume that only original Cohu spare and consumable parts are used, recommended maintenance intervals and procedures are respected, operators/maintenance technicians have successfully participated in formal equipment training by Cohu to the appropriate level, and only Cohu approved software is used on the systems. Cohu assumes no warranty or liability if any of these requirements is not met. All listed data are for information only. For binding specification please contact your sales person.

